

BRITANNIA MARINE

Premier Cartridge Operated Extinguisher

BAF9 – AFFF Foam



The Aqueous Film Forming Foam (AFFF) additive is a blend of perfluorinated and hydrocarbon surfactants.

On Class A fires the foam enhances the cooling ability of the water base. On Class B fires the foam enables the formation of an aqueous film capable of spreading on the surface of burning fuels, which prevents vapour production and seals the surface from oxygen.

AFFF will extinguish class A (carbonaceous) fires and class B (flammable liquid) fires.

Features

- ❖ Approved and certified to BS EN3
- ❖ Kite-marked product
- ❖ Approved by the European Marine Equipment Directive (Wheel-marked)
- ❖ CE-marked in accordance with the PED
- ❖ Diecast zinc colour coded headcap
- ❖ Large neck ring enables servicing and refilling to be conducted with ease
- ❖ Safe and reliable
- ❖ Quality assured for long service life
- ❖ Manufactured in Great Britain



Technical Specification

Model	Capacity (Litres)	Fire Rating	Full Weight (Kgs)	Temp Range	Operating Pressure (Bar) @ 20°C	Discharge Duration (Secs)	Discharge Range (M)	Diameter (mm)	Height (mm)
BAF9MED	9	13A/183B	15.7	+5° to +60°C	12	49	4	190	570

Britannia Fire reserve the right to alter the specification of the product without prior notice



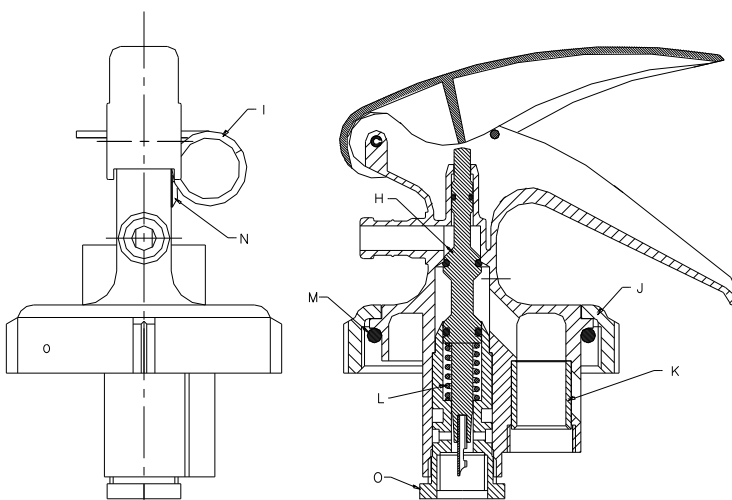
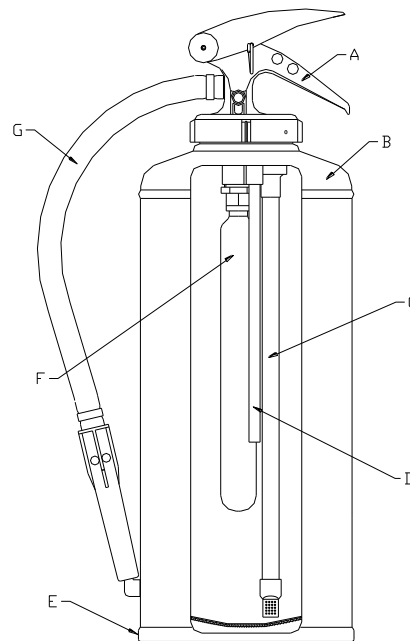
Tel +44 (0)1508 488416
www.Britannia-Fire.co.uk

ADDITIONAL SPECIFICATIONS

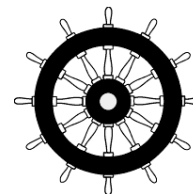
Gas Cartridge	75gram CO ²
Operating Pressure @ 20°C	12bar
Test Pressure (PT)	26bar
Maximum Allowable Pressure (PS)	18bar
Minimum Burst Pressure	55bar
Cylinder Material	1.6mm Thick Mild steel to EN 10111 - DD12
Operating Head material	Zinc Alloy to EN 1774 - ZnA14 (ZL3)
Hose	EPDM Synthetic rubber
Finish	Polyester Powder Paint

COMPONENT PARTS

ITEM	DESCRIPTION	PART No.
A	Headcap Assy	BRH0010C
B	Welded Body Assy	BODYL
C	Syphon Tube Assy	BR0406
D	Gas Tube	BR0675
E	Skirt Ring	BRH0460
F	Cartridge	C75
G	Hose Assy	BR0502
H	Valve Control Spindle Assy	BRH0400
I	Safety Pin	BRH0180
J	Nutring	BRH0105
K	Sleeve	BRH0150
L	Spring	BRH0200
M	O Ring	BRH0230
N	Service Indicator Stud	BRH0185
O	Control Spindle Insert	BRH0120
-	Pull Tight Seal (not shown)	BRH0175
-	Wall Bracket (not shown)	BRH0195
-	Transport Brkt & Strap (not shown)	BRH0310
-	AFFF foam refill (not shown)	AFFF09
-	Tool Kit (C & Ring spanners)	TK100



HEADCAP GENERAL ASSEMBLY



0086



LICENCE NO. KM 6832



0086



Britannia Fire Ltd

Ashwellthorpe Industrial Estate, Ashwellthorpe, Norwich, NR16 1ER, ENGLAND

Tel: +44 (0)1508 488416 Fax: +44 (0)1508 481753

www.britannia-fire.co.uk